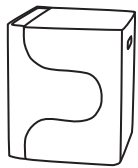


P'kolino Klick Instructions

Thank you for choosing the P'kolino Klick!

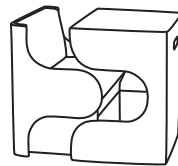
Using your P'kolino Klick is as easy as 1 - 2 - 3!



Step 1

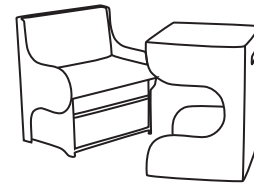
When you first take the Klick out of its box it will be in the closed position. In this position it can

easily be stored away to minimize clutter and free up some play room.



Step 2

When you are ready to use your Klick simply grab the two handles on the sides and pull. The chair will easily slide away from the desk creating an ideal work space.



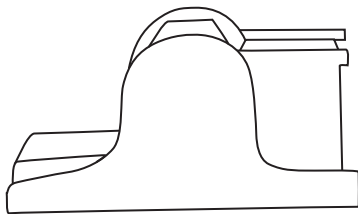
Step 3

To close, lift the front feet of the chair over the desk's cross bar. Place your hands on back of chair and front of desk and squeeze together to Klick!

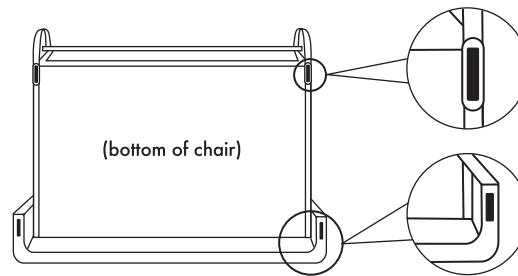
Chair should not be used without pad.

Applying the Self Adhesive Foam Pads

Included in packaging are eight foam pads. Apply these pads to the chair's feet and desk bottom for easier sliding. Recommended for use on hardwood floors; NOT recommended for rugs or carpets.



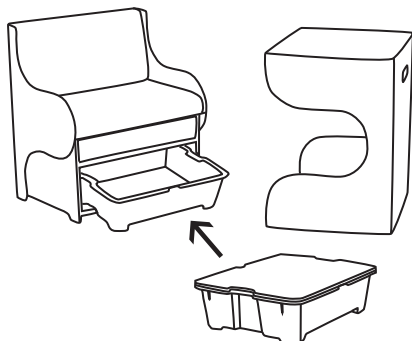
1. Place the Klick chair on it's back side.



2. Place Self Adhesive Foam Pads on the bottom of the two FRONT feet of the chair.

3. Place Self Adhesive Foam Pads on the bottom of the two BACK feet of the chair.

Repeat for desk.



Accessorize your Klick with a

P'kolino Play Kit

For additional under-the-seat organization!

These beautifully designed kits fit right into the bottom of the Klick chair. They can be easily removed and replaced with another play kit for a simple way to change the activity and organize your child's toys. Sold separately.

Designed in the USA. Made in China. P'kolino products meet or exceed US, EU, and Canadian safety standards. REG. NO. PA-2760 (CN)

© 2010 P'kolino, LLC. All Rights Reserved. Patents Pending. All New Material: Ply Wood, Seat Pad: Premium Vinyl covering Polyurethane Foam

Questions or comments? Please email: customer-care@pkolino.com Or write to: P'kolino Studio • 38 NW 1st Avenue • Dania Beach, Florida 33004

May 2010

Use and Care Instructions

Cleaning

To clean use a soft, lint free rag similar to a cloth diaper and wipe away dust regularly. If necessary dampen cloth slightly with warm water and gently rub away spots. Dry thoroughly.

Do not use a bleach solution.

Do not submerge or allow to lie in standing water.

Do not use a sponge or harsh abrasive.

Do not use all purpose cleaners or harsh detergents.

Do not use Pine Oil cleaners or abrasive household cleaners.

Do not use heat or hot water.

Do not remove pad covering.

Age Requirements

P'kolino Klick for children age 3 to 6 years.

Use

The P'kolino Klick is designed to be used as a desk and chair set by one child at a time.

Do not use chair without pad.

Do not sit, stand, or climb on desk.

Do not stand on chair.

Do not tilt chair while sitting.

Maintenance

At P'kolino we design our furniture to be low maintenance, however misuse or irregular use can result in product malfunction. Regularly check the stability. If pieces feel loose or wobbly tighten all screws immediately. Regularly check screws to ensure that none are loose or are coming loose. If so, tighten immediately.

Please register this product at:
www.pkolino.com/register

Return Policy

At P'kolino it is our commitment to improve play at home with products that are playfully-stylish and functionally-smart. That means, we want you and the child(ren) to love the way our products look and work. If within 10 days of receipt or your product you are not satisfied you may return it for a refund of the merchandise value.

Our products and packaging have been designed to withstand standard delivery methods, however, please inspect your product upon receipt for damage to the packaging as products damaged during shipping are subject to exchange or refund. If product has been visibly damaged it is recommended that you refuse the delivery by the carrier. Notify us of the shipment rejection and upon receipt of the rejected shipment we will send you a replacement at no charge.

To return your product, contact us and we will issue a refund or replace the product. For products with visible wear or that are not properly repackaged there will be a restocking fee of 10%. Please follow assembly, use and care instructions carefully as we will not accept returns on products damaged due to improper assembly, altered or modified products, or on items damaged from normal, excessive or unintended use. Return shipping expenses, unless otherwise specifically stated by P'kolino, will be the customers expense.

If you have questions regarding our policy please contact us at info@pkolino.com or 888-403-8992.

For products purchased through our retail partners please contact them for resolution prior to contacting P'kolino.

Warranty

P'kolino products are guaranteed to be free from defects in material and workmanship under normal and intended use for a period of 30 days from the date of your purchase.

Replacement/Credit:

If our product fails to meet our warranty during the warranty period, we will, at our option, replace the product or provide you with a replacement of comparable value.

What Our Limited Warranty Does Not Cover:

We offer this limited warranty only when the product is used by the original end-user customer. We offer no other warranty. Additionally, while our warranty is excellent, there are other limits to it. We offer NO WARRANTY in cases of damage in transit, inadequate care, abuse, abnormal use, misuse, accidents, normal wear and tear, damage due to environmental or natural elements, failure to follow product instructions, immersion in water (except for products specifically identified by us in writing as intended for water use), or improper storage or maintenance of the products.

Limitation on Damages:

IN NO EVENT SHALL P'KOLINO,LLC BE LIABLE FOR INCIDENTAL, COMPENSATORY, PUNITIVE, CONSEQUENTIAL, INDIRECT, SPECIAL OR OTHER DAMAGES. OUR AGGREGATE LIABILITY WITH RESPECT TO DEFECTIVE PRODUCTS IS LIMITED TO THE MONIES PAID TO US FOR THE DEFECTIVE GOOD.

Some states and countries do not allow the exclusion or limitation of incidental, consequential or other damages, so the above limitation or exclusion may not apply to you. This warranty gives you specific legal rights, and you may also have other rights which vary based on state, province or country.

Contact Information

Please feel free to contact us at the address listed below

Pkolino LLC
38NW 1st Av.
Dania Beach, FL 33004